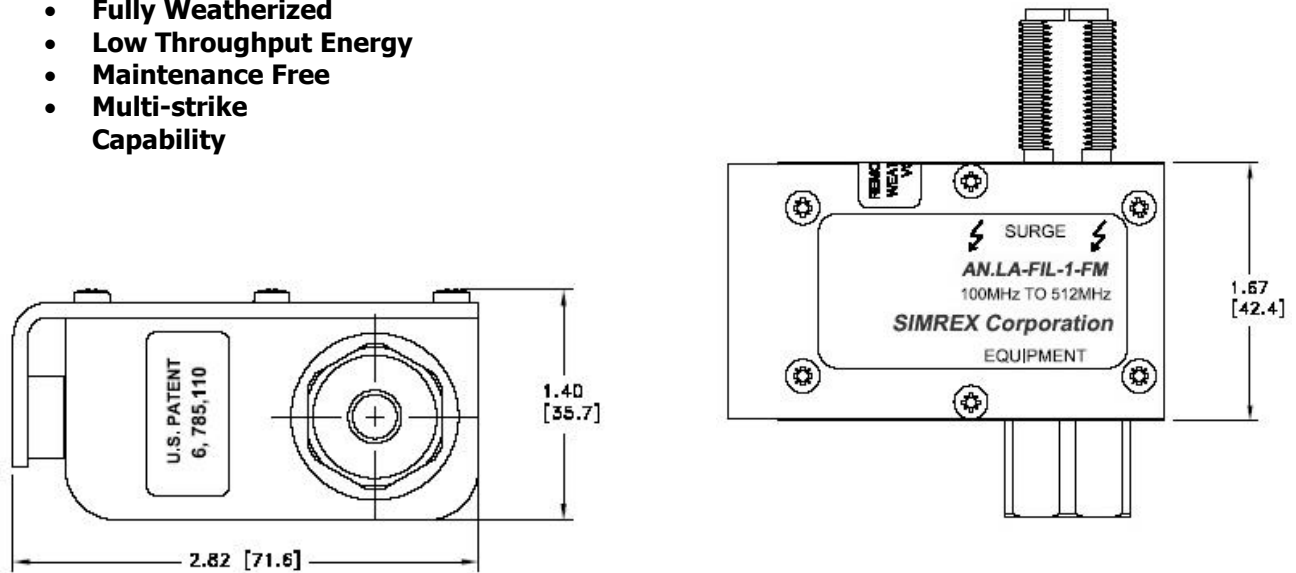
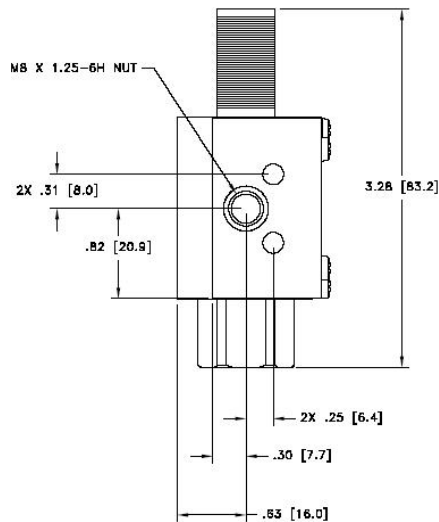


**UHF Coaxial Protector for High Power Multi-transmitter Combined Applications**

- **Industry's Best RF Performance**
- **Fully Weatherized**
- **Low Throughput Energy**
- **Maintenance Free**
- **Multi-strike Capability**



**Technical Specifications:**



Insertion Loss:	≤ 0.1dB
Freq. Range:	100-512MHz
Mounting:	Bulkhead Flange
Protected Side Connector:	N Male 50Ω
RF Power:	750 Watts
Surge Side Connector:	N Female 50Ω
Throughput Energy:	≤ 0.5μJ for 3kA @ 8/20μs Waveform
Throughput Voltage:	≤ 12 Vpk
Max. Surge:	20kA IEC 61000-4-5 B/20μs WAVEFORM
Unit Impedance:	50Ω
Voltage Standing Wave Ratio:	1.1 : 1
Weatherized:	Bellcore #TA-NWT-000487 Procedure 4.11, Wind Driven (120 mph) Rain Intrusion.
Relative Humidity:	To 95%
Temperature:	-50 C to +85 C Storage/Operating